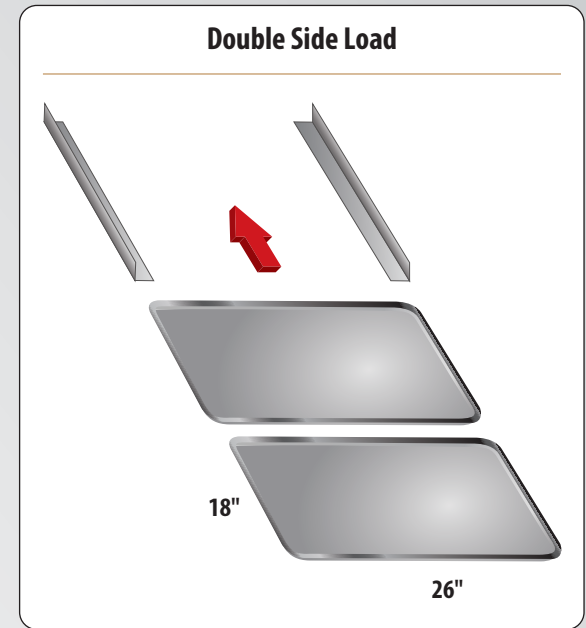
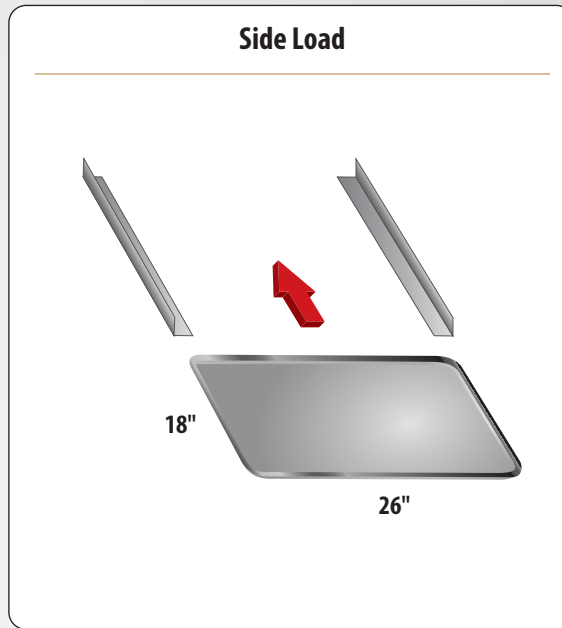
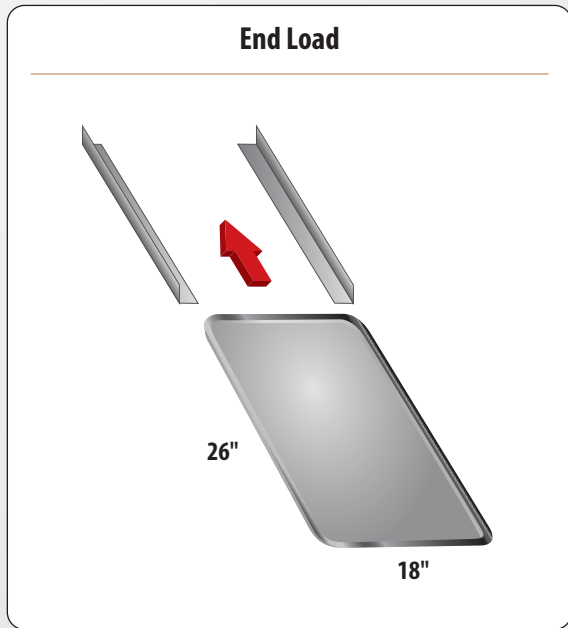


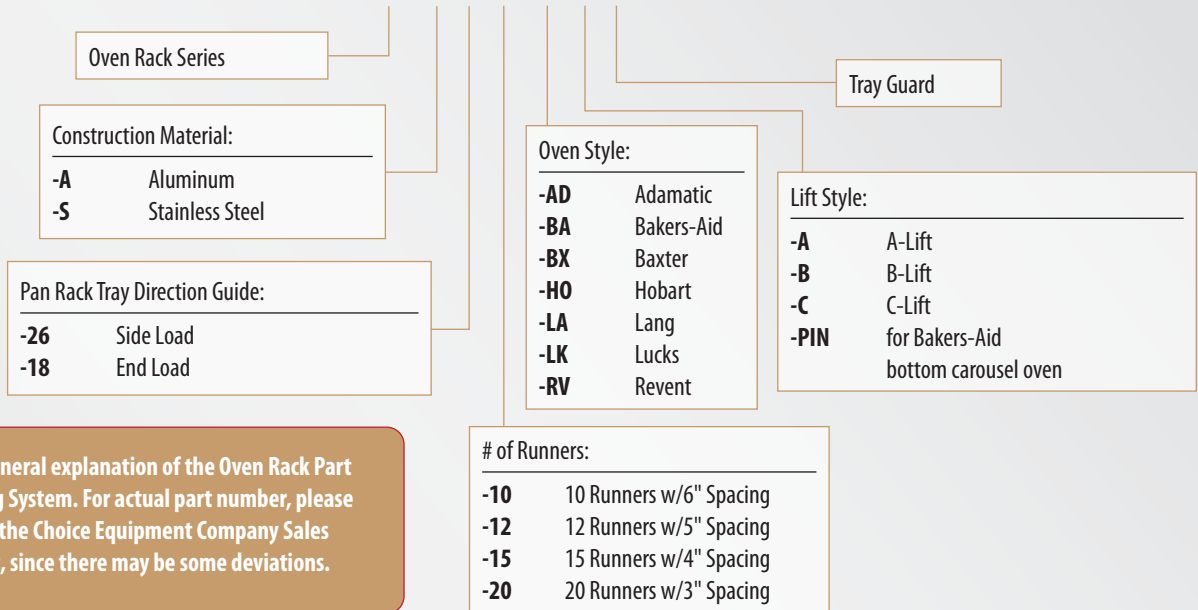
**Pan Rack Tray Direction Guide**



**Oven Rack Ordering Guide**



**Example: PR80-A-2612-HO-C-TG**



This is a general explanation of the Oven Rack Part Numbering System. For actual part number, please contact the Choice Equipment Company Sales Department, since there may be some deviations.