

TB6 – STAINLESS STEEL WORK TABLES – EQUIPMENT STAND



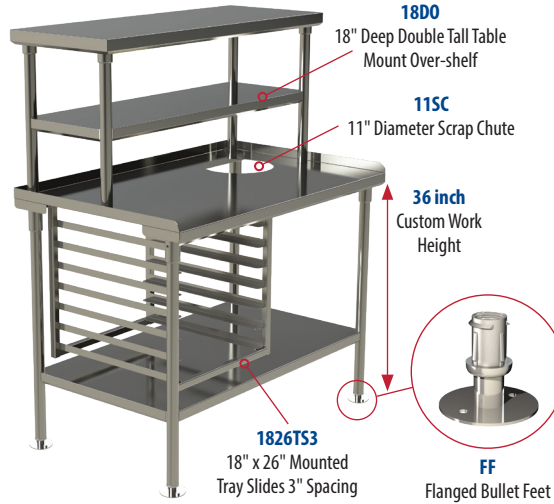
TB612-3030
Equipment Stand with
Open Base and U-Brace



TB602-3030
Equipment Stand with
Galvanized Under Shelf



TB632-3030
Equipment Stand with
Stainless Steel Under Shelf



Top Shelf

- **TB60 - Galvanized Under Shelf**
- **TB61 - Open Base w/ U-Brace**
- **TB63 - Stainless Steel Under Shelf**
- Equipment Stand Table with 3 edges up
- 14 Gauge Top with 1-½" Back Splash and Side Edges
- Heavy gauge stainless steel hat channels supports
- Two hat channels on the 24" Wide, three on 30" and 36"

Legs and U-Braces

- 1-5/8" O.D 16 Gauge Stainless steel tube legs and U-braces
- 1" stainless steel adjustable bullet standard feet
- Tables Over 72" have 6 Leg configuration

Bottom Shelf

- Bottom Shelf formed from 18 Gauge Stainless Steel or Galvanized material
- Stainless Steel Shelves are fully welded in place
- Bottom Galvanized Shelf uses socket set screw assembly

Construction

- Fully Welded for Maximum Rigidity and Strength
- Standard Work Height: 34"
- Custom Work Height available

EXAMPLE: TB632-7230-5M (14 Ga. Stainless Steel Top, Stainless Steel Under Shelf, 1.5" inch Back Splash & Side Edges, 30 inch Depth, 72 inch Width, Mobile Kit with 5" Casters)

EX. break-down: TB6		3	2	-	72	30	-	5M
Work Table Top		Under Shelf	Back Splash Height	Width	Depth	Work Table Options		
TB6	Stainless Steel Equipment Stand	0 Galvanized 1 Open/U-Brace 3 Stainless Steel	2 1.5" <i>Custom Back Splash Height available</i>	Standard Widths (in.): 24 30 36 48 60 72 84 96 108 120 <i>Custom Width available</i>	Standard Depths (in.): 24 30 36 48 60 72 84 96 108 120 <i>Custom Depth available</i>	Custom Work Height: 36 36" Work Height, Per customer request Caster/Feet Options: 4MTPR 4" TPR Caster, 2 With Brake 4M 4" Poly-Urethane Caster, 2 With Brake 4MPO 4" Poly-Olefin Casters, 2 With Brakes 5MTPR 5" TPR Casters, 2 with Brakes 5M 5" Poly-Urethane Casters, 2 With Brake 5MPO 5" Poly-Olefin Casters, 2 with Brake BK Extra Set of Brakes Added to Table FF Flanged Bullet Feet Table Mount Over-shelf Options: 12SO 12" Deep Single Table Mount Over-shelf 15SO 15" Deep Single Table Mount Over-shelf 18SO 18" Deep Single Table Mount Over-shelf 12DO 12" Deep Double Tall Table Mount Over-Shelf 15DO 15" Deep Double Tall Table Mount Over-Shelf 18DO 18" Deep Double Tall Table Mount Over-Shelf	Drawer Options (position to be provided): 1520SDL 15" x 20" Stainless Steel Pan Drawer w/Lock 1520SD 15" x 20" Stainless Steel Pan Drawer no lock 2020SDL 20" x 20" Stainless Steel Pan Drawer w/Lock 2020SD 20" x 20" Stainless Steel Pan Drawer no lock Scrap Shute Options (location to be provided): 7SCD 7" Diameter Scrap Chute Deep 7SC 7" Diameter Scrap Chute 9SC 9" Diameter Scrap Chute 11SC 11" Diameter Scrap Chute 13SC 13" Diameter Scrap Shute Base Options: 2BS (2) Bottom Shelves 3FWH 3 Cylinder Flatware container Holder 10PS 10" Deep Paper Shelf 1826TS3 18" x 26" Mounted Tray Slides 3" Spacing 2020TS6 20" x 20" Mounted Tray Slides 6" Spacing	

Build Your Stainless Steel Equipment Stand Part Number

Select a code (in **BLUE**) from each category and fill in the boxes below. Use this Part Number when you order your Stainless Steel Equipment Stand

TB6				-				-
TB6				-				-

TB – STAINLESS STEEL WORK TABLES OPTIONS

Custom Work H

Custom Work Height:

36 36" Work Height, Per customer request

Caster/Feet Options:

4MTPR 4" TPR Caster, 2 With Brake
4M 4" Poly-Urethane Caster, 2 With Brake
4MPO 4" Poly-Olefin Casters, 2 With Brakes
5MTPR 5" TPR Casters, 2 with Brakes
5M 5" Poly-Urethane Casters, 2 With Brake
5MPO 5" Poly-Olefin Casters, 2 with Brake
BK Extra Set of Brakes Added to Table
FF Flanged Bullet Feet

Table Mount Over-shelf Options:

12SO 12" Deep Single Table Mount Over-shelf
15SO 15" Deep Single Table Mount Over-shelf
18SO 18" Deep Single Table Mount Over-shelf
12DO 12" Deep Double Tall Table Mount Over-Shelf
15DO 15" Deep Double Tall Table Mount Over-Shelf
18DO 18" Deep Double Tall Table Mount Over-Shelf

Drawer Options:

1520SDL 15" x 20" Stainless Steel Pan Drawer with Lock
1520SD 15" x 20" Stainless Steel Pan Drawer no lock
2020SDL 20" x 20" Stainless Steel Pan Drawer with Lock
2020SD 20" x 20" Stainless Steel Pan Drawer no lock

Scrap Shute Options:

7SCD 7" Diameter Scrap Chute Deep
7SC 7" Diameter Scrap Chute
9SC 9" Diameter Scrap Chute
11SC 11" Diameter Scrap Chute
13SC 13" Diameter Scrap Shute

Base Options:

2BS (2) Bottom Shelves
EB Enclosed Base
3FWH 3 Cylinder Flatware container Holder
10PS 10" Deep Paper Shelf
1826TS3 18" x 26" Mounted Tray Slides 3" Spacing
2020TS6 20" x 20" Mounted Tray Slides 6" Spacing